

# Ball Valve

## Design Feature:

- 3 Pc Body Construction
- Investment Cast Components
- Full Port
- Blow Out Proof Stem
- Actuator Mounting Pad available on request
- Screwed Female Ends / Socket Weld Ends / Butt Weld Ends

## Conformity to Standards & Codes :

Design & Face to Face Dimensions :  
BS 5351 / ISO 17292

Valve Testing : API 598

Threaded Ends Conformity :  
BS 21 BSP / BSPT, ASME B1.20.1  
(NPT)

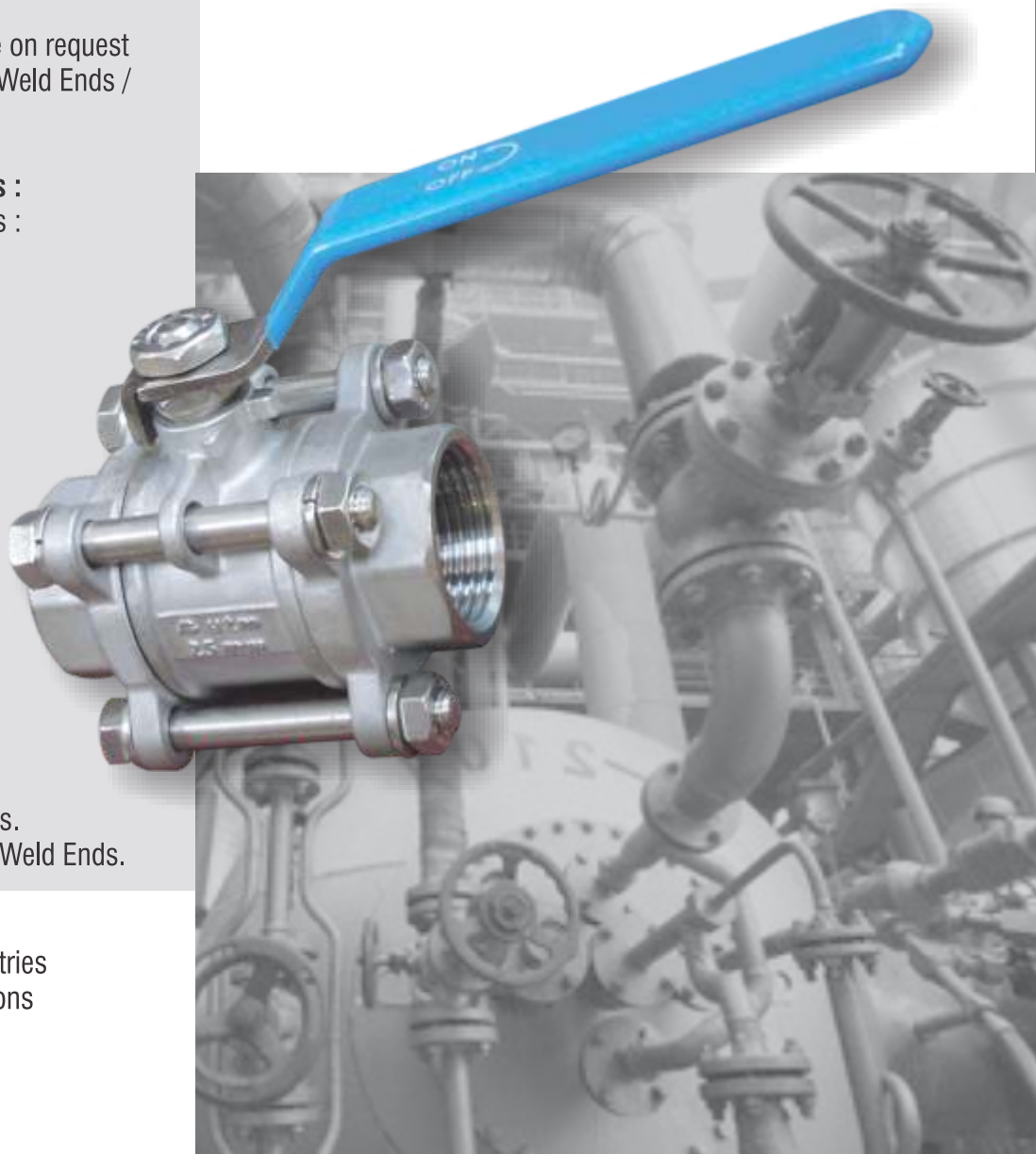
Socket Weld Ends Conformity :  
ASME B 16.11

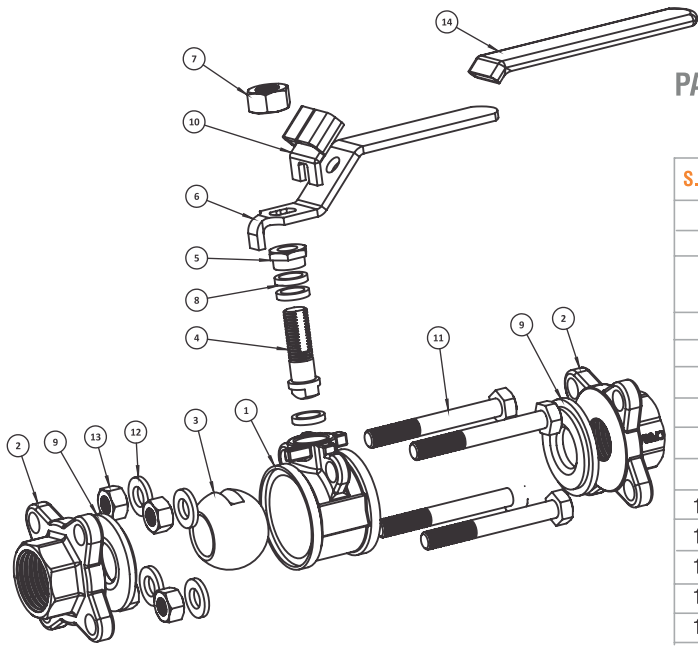
Butt Weld Ends Conformity:  
ASME B16.25

Size Range :  
15mm (1/2") to 50mm (2") -  
Thread Ends and Socket weld Ends.  
15mm (1/2") to 100mm (4")-Butt Weld Ends.

## Applications:

- Food and Pharmaceutical Industries
- Compressed Air / Gas Installations
- Oil Refineries
- Chemical & Solvent Industries
- Petrochemical Industries
- Process Industries



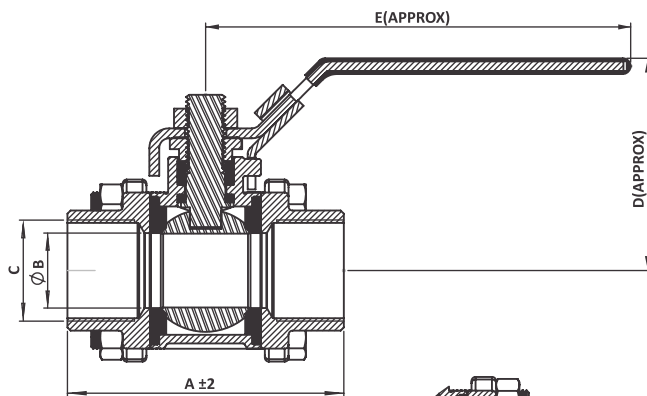


## PART LIST

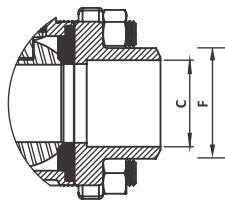
S.NO.	PART NAME	MATERIAL	SPECIFICATIONS	QTY.
1.	BODY	CAST CARBON STEEL	ASTM A216 GR. WCB	1
2.	CONNECTOR	CAST CARBON STEEL	ASTM A216 GR. WCB	2
3.	BALL	STAINLESS STEEL	ASTM A351 GR. CF8/CF8M/ ASTM A276 GR. 304/316	1
4.	SPINDLE	STAINLESS STEEL	ASTM A276 GR. 304/316	1
5.	GLAND NUT	STAINLESS STEEL	AISI 304	1
6.	HAND LEVER	STAINLESS STEEL	AISI 304/202	1
7.	LOCK NUT	STAINLESS STEEL	AISI 304	1
8.	GLAND PACKING	PTFE	BS 6564	4
9.	SEAT RING CUM BODY SEAL	PTFE	BS 6564	2
10.	LOCK	STAINLESS STEEL	AISI 304/202	1
11.	STUD	STAINLESS STEEL	AISI 304/202	4
12.	WASHER	STAINLESS STEEL	AISI 304/202	8
13.	NUT	STAINLESS STEEL	AISI 304/202	8
14.	HANDLE SLEEVE	PVC	BS 6076	1

\*Lockable handles are available on request.

\*Stem seals, body seals and seat ring, other than PTFE are available on request.



Screwed / Socket Weld Ends



Butt Weld Ends

## DIMENSIONS

SIZE	A		B	C			D	E	F
	THREADED & SOCKET WELD	BUTT WELD		THREADED	SOCKET WELD BORE(±.2)	BUTT WELD BORE(±.2)			
15MM	62	65	14	BSP-1/2"	22.00	15.9	53	108	21.3
20MM	70	76	19	BSP-3/4"	27.40	21.0	55	108	26.7
25MM	80	86	24	BSP-1"	34.10	26.7	59	131	33.4
32MM	90	98	31	BSP-1.1/4"	42.90	35.1	76	154	42.2
40MM	105	114	38	BSP-1.1/2"	49.00	41.0	81	194	48.3
50MM	121	132	50	BSP-2"	61.45	52.5	90	194	60.3
65MM	-	164	63	-	-	62.7	128	296	73.0
80MM	-	182	76	-	-	78.0	138	296	88.9
100MM	-	235	100	-	-	102.3	172	390	114.3

\*All dimensions are in mm unless and otherwise specified.

\*NPT Thread are available on request.

\*Butt-Weld ends are available on request.

## TEST PRESSURE:

Hydraulic Body Test	62 Kg/Cm <sup>2</sup>
Pneumatic Seat Test	4-7 Kg/Cm <sup>2</sup>
Hydraulic Seat Test (Optional)	45 Kg/Cm <sup>2</sup>

## GUARANTEE

All valves are guaranteed against any manufacturing defects for a period of 12 months from date of supply, provided the valves have not been misused, damaged or installed for services they are not recommended. The company shall be liable to furnish part / parts thereof or full valve as the company may deem fit.

# V.A. VALVES

Regd. Office & Works: Udyog Nagar, Gadaipur, Jalandhar City -144 004

Phone: +91-181-2601540, 2601541 Fax: +91-181-2601741

E-mail : marketing@vk-utam.com, info@vtm-valves.com

Website : [www.vk-utam.com](http://www.vk-utam.com), [www.vtm-valves.com](http://www.vtm-valves.com)

Due to continuous development program, design and data in this leaflet are subject to change without prior notice.

Authorized Stockist

Our associates:



PIONEERING FLUID CONTROLS