

# Cast Stainless Steel Gate Valve

VA-114S  
VA-115S

## Designs Features:

- Seal Welded Seat Rings
- Integral/Weld deposit Seating material on wedge
- Ground and lapped Seating Surface for bubble tight sealing and longer life
- Flexible wedge as standard
- Back-seat arrangement as standard
- Live loading of Gland/Leak-off available on request
- Hard facing/Stellite 6 seating surface available on request

## Conformity to Standards and Codes:

**Design:** API 600

**Face to Face:** ASME B16.10

**Flange Ends:** ASME B16.5

**Butt Weld Ends:** ASME B16.25

**Valve Testing:** API 598

## Applications:

### Energy

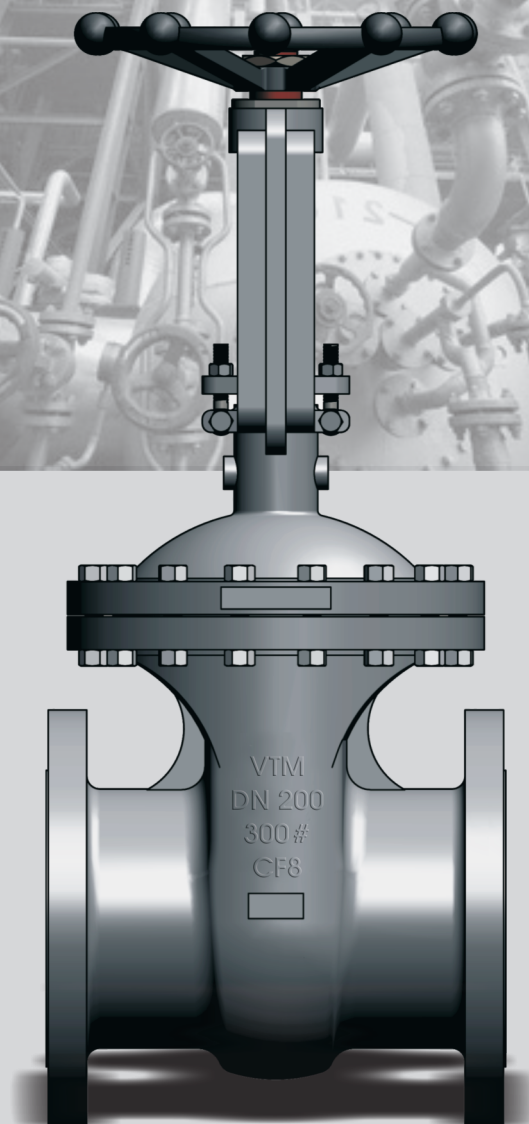
- Power Generation,  
Oil and Gas, Refining etc

### Processing

- Chemical Processing,  
Pulp and Water, Food and Beverages,  
Petro Chemicals etc

### Other Industries

- Marine, Effluent Treatment,  
Mining, OEM etc



DOC.NO.:VAV-C-1039; REV. NO.:01; REV. DATE: 30-07-2016



[www.vtm-valves.com](http://www.vtm-valves.com)

## PART LIST

S. NO.	PART NAME	MATERIAL	SPECIFICATION	QTY.
1.	BODY	CAST STAINLESS STEEL	ASTM A351 GR. CF8	1
2.	BONNET	CAST STAINLESS STEEL	ASTM A351 GR. CF8	1
3.	WEDGE	CAST STAINLESS STEEL	ASTM A351 GR. CF8	1
4.	BODY SEAT RING	CAST STAINLESS STEEL	ASTM A351 GR. CF8	2
5.	STEM	STAINLESS STEEL	ASTM A276 GR. 304	1
6.	BACK SEAT	STAINLESS STEEL	ASTM A276 GR. 304	1
7.	GLAND FOLLOWER	STAINLESS STEEL	ASTM A276 GR. 304	1
8.	GLAND PACKING	GRAPHITE ASBESTOS	WITH INCONEL WIRE & CORROSION INHIBITOR	4-6
9.	GLAND FLANGE	CAST STAINLESS STEEL	ASTM A351 GR. CF8	1
10.	STEM NUT	STAINLESS STEEL	ASTM A276 GR. 304	1
11.	YOKE RETAINING NUT	STAINLESS STEEL	ASTM A276 GR. 304	1
12.	HAND WHEEL	DUCTILE IRON	ASTM A536 GR. 65-45-12	1
13.	WHEEL RETAINING NUT	DUCTILE IRON	ASTM A536 GR. 65-45-12	1
14.	GASKET	SPIRAL WOUNDED	ASTM B16.20 GR. 304	1
15.	GLAND EYE BOLT	STAINLESS STEEL	ASTM A193 GR. B8	2
16.	GLAND NUT	STAINLESS STEEL	ASTM A194 GR. 8	2
17.	BODY BONNET STUDS	STAINLESS STEEL	ASTM A193 GR. B8	-
18.	BODY BONNET NUT	STAINLESS STEEL	ASTM A194 GR. 8	-
19.	LUBRICATION PLUG	STAINLESS STEEL	ASTM A276 GR. 304	1

Note: Contact Factory for other Technical Details / Material in Special Grades

## DIMENSIONS #150

	A	A1	B	C	D	E	F	G	H	I	J	K
40	165	165	38.1	125	73.0	271	220	12.7	2	98.4	15.87	4
50	178	216	50.8	150	92.1	325	220	14.3	2	120.7	19.05	4
65	190	241	63.5	180	104.8	347	220	15.9	2	139.7	19.05	4
80	203	282	76.2	190	127.0	401	250	17.5	2	152.4	19.05	4
100	229	305	101.6	230	157.2	459	250	22.3	2	190.5	19.05	8
125	254	381	127.0	255	185.7	511	250	22.3	2	215.9	22.22	8
150	267	403	152.4	280	215.9	618	332	23.9	2	241.3	22.22	8
200	292	419	203.2	345	269.9	772	380	27.0	2	298.5	22.22	8
250	330	457	254.0	405	323.8	888	460	28.6	2	362.0	25.40	12
300	356	502	304.8	485	381.0	1027	460	30.2	2	431.8	25.40	12
350	381	572	336.0	535	412.7	1262	590	33.4	2	476.3	28.57	12
400	406	610	387.0	595	470.0	1346	590	35.0	2	539.8	28.57	16
450	432	660	438.0	635	533.4	1561	590	38.1	2	577.9	31.75	16
500	457	711	488.0	700	584.2	1708	670	41.3	2	635.0	31.75	20
600	508	813	590.0	815	692.2	2164	670	46.1	2	749.3	34.92	20

NOTE: All dimensions are in mm unless and otherwise specified.

## GUARANTEE

All valves are guaranteed against any manufacturing defects for a period of 12 months from date of supply, provided the valves have not been misused, damaged or installed for services they are not recommended. The company shall be liable to furnish part/ parts thereof or full valve as the company may deem fit.

# V.A. VALVES

ISO 9001-2008 Certified

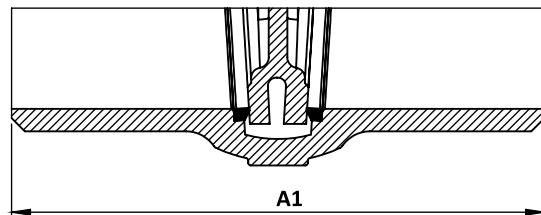
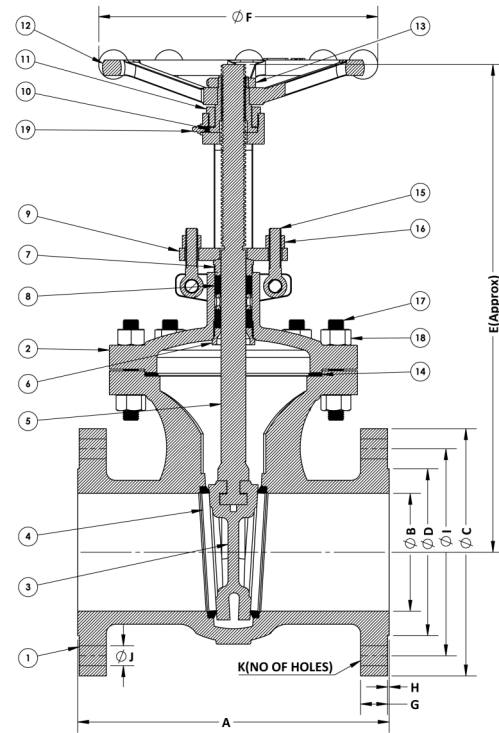
Regd. Office & Works: Udyog Nagar, Gadaipur, Jalandhar City -144 004

Phone: +91-181-2601540, 2601541 Fax: +91-181-2601741

E-mail : vavalves@vtm-utam.com

Website : [www.vtm-utam.com](http://www.vtm-utam.com), [www.vtm-valves.com](http://www.vtm-valves.com)

Due to continuous development program, design and data in this leaflet are subject to change without prior notice.



## DIMENSIONS #300

SIZE	A	A1	B	C	D	E	F	G	H	I	J	K
40MM	190	190	38.1	155	73.0	271	220	19.1	2	114.3	22.22	4
50MM	216	216	50.8	165	92.1	327	220	20.7	2	127.0	19.05	8
65MM	241	241	63.5	190	104.8	350	220	23.9	2	149.2	22.22	8
80MM	282	282	76.2	210	127.0	402	250	27.0	2	168.3	22.22	8
100MM	305	305	101.6	255	157.2	465	250	30.2	2	200.0	22.22	8
125MM	381	457	127.0	280	185.7	525	250	33.4	2	235.0	22.22	8
150MM	403	521	152.4	320	215.9	627	332	35.0	2	269.9	22.22	12
200MM	419	559	203.2	380	269.9	790	380	39.7	2	330.2	25.4	12
250MM	457	635	254.0	445	323.8	900	460	46.1	2	387.4	28.57	16
300MM	502	762	304.8	520	381.0	1030	460	49.3	2	450.8	31.75	16

## TEST PRESSURE

RATING	BODY (Kg/cm <sup>2</sup> )	SEAT (Kg/cm <sup>2</sup> )
PN 150#	29.0	21.5
PN 300#	76.0	56

Authorized Stockist

Our associates:



PIONEERING FLUID CONTROLS

[www.vtm-valves.com](http://www.vtm-valves.com)