

Large Sized Y-Type Strainer

VA-26

Design Features:

- Y-Type Fabricated Construction of Body
- Bolted Cover with Blow Off Connection
- Strainer Body Meets Applicable ASME Standard
- Upper and Lower Machined Seats
- SS 304 Screens Are Standard
- Drain / Blow-Off Connection furnished with Plug as Standard
- Straining Area: Nominal Flow Area=3:1 (Minimum)
- Properly Proportioned Straining Chamber To Minimize Initial Pressure Drop While Maximizing Time Between Cleanings

Conformity to Standard & Codes:

Design Standard:

ASME B16.34

Face to Face Dimension:

DIN 3202 F1

End Detail:

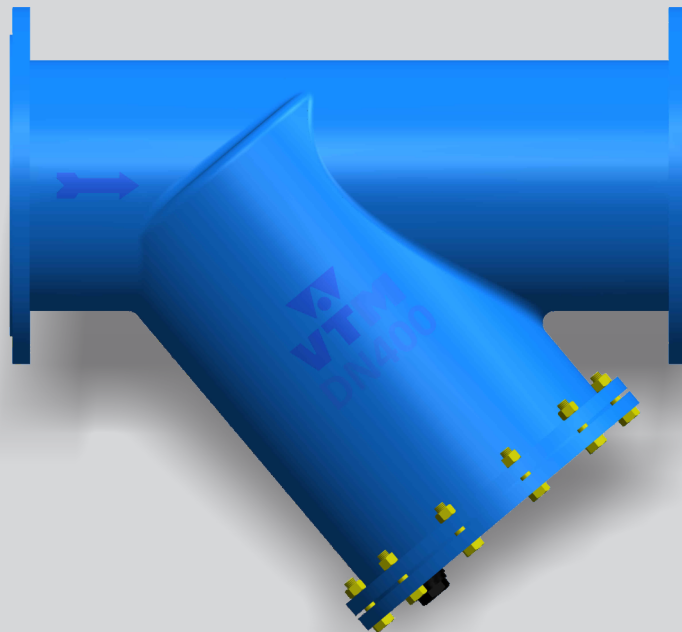
Flanged Ends to ASME B16.5 #150 /
BS EN 1092-1 PN16 / BS 10 Table E

Valve Testing:

API 598

Applications:

- Process Industry
- Power Industry
- Oil and Gas
- Pulp and Paper
- Metal and Mining
- Water and Waste Management Systems



INDUSTRIAL VALVES & CONTROLS

DOC. NO. : VAV-C-1059; REV. : 00; REV. DATE : 27-07-2020

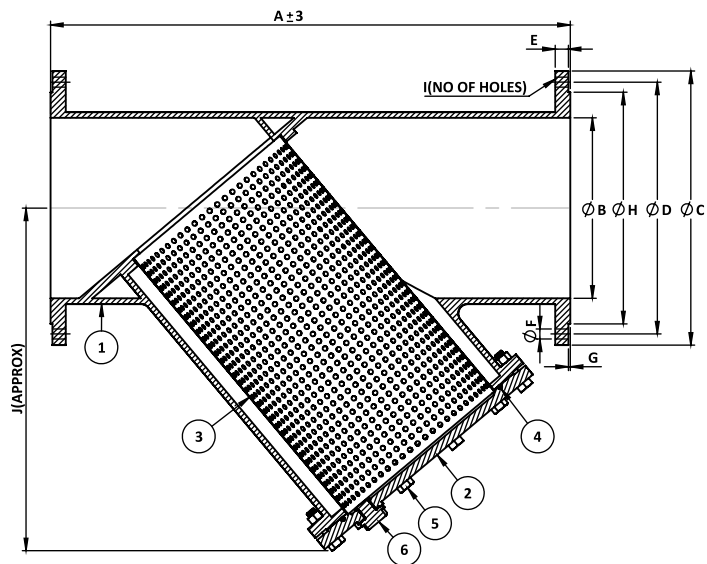


ISO 9001:2015

www.tuv.com
ID: 8190642266



12
months
GUARANTY



TEST PRESSURE

RATING	HYDROULIC SHELL TEST (kg/cm ²)
PN 10	15

PART LIST

S.NO.	PART NAME	MATERIAL	SPECIFICATION	QTY.
1	BODY	CARBON STEEL	IS 2062 / IS 1239	1
2	BONNET	CARBON STEEL	IS 2062 / IS 1239	1
3	SCREEN	STAINLESS STEEL	S.S TYPE 304	1
4	GASKET/O-RING	RUBBER	NBR	1
5	FASTENER	CARBON STEEL	ASTM A307 GR.B	TO SUIT
6	PLUG	CARBON STEEL	IS 2062	1

Note : For Special Grade Material, Contact Factory.

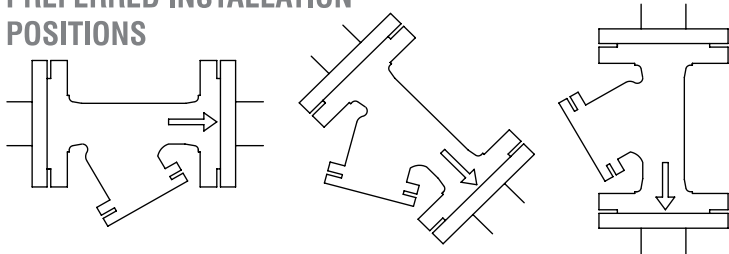
DIMENSIONS

SIZE A		FLANGED ENDS									
NPS	DN	A	B	C	D	E	F	G	H	I	J
14"	350MM	980	350	520	470	26	26	4	438	16	725
16"	400MM	1100	400	580	525	28	30	4	490	16	823
18"	450MM	1200	450	640	585	36	30	4	550	20	862
20"	500MM	1250	500	715	650	40	33	4	610	20	978
24"	600MM	1450	600	840	770	49	36	5	725	20	1117

Note: 1. All Dimensions are in mm unless otherwise specified.

2. Flange dimensions are as per PN16(BS EN 1092-1) in table. Same are available in other standard on request.

PREFERRED INSTALLATION POSITIONS



GUARANTEE

All valves are guaranteed against any manufacturing defects for a period of 12 months from date of supply, provided the valves have not been misused, damaged or installed for services they are not recommended. The company shall be liable to furnish part/ parts thereof or full valve as the company may deem fit.

V.A. VALVES

ISO 9001-2015 Certified

Regd. Office & Works: Udyog Nagar, Gadaipur, Jalandhar City -144 004

Phone: +91-181-2601540, 2601541 Fax: +91-181-2601741

E-mail : vavalves@vtm-utam.com, info@vtm-valves.com

Website : www.vtm-utam.com

Due to continuous development program, design and data in this leaflet are subject to change without prior notice.

Authorized Stockist

Our associates:



PIONEERING FLUID CONTROLS